

IJ1300



EPV Insulated Jib Attachment

SWL 1500Kg

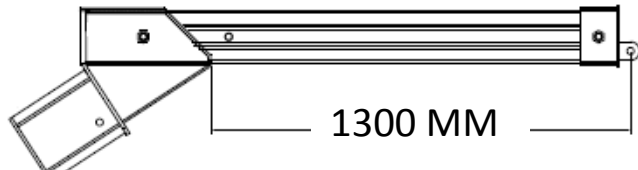
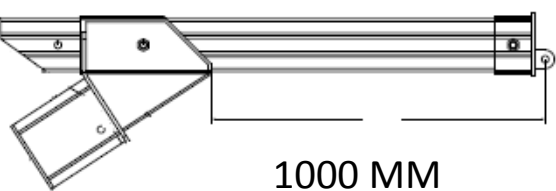
Insulation Rating 33Kv Dry Only

The Standard IJ 1300 is available to suit various VLC that have an appropriate load capacity and are capable of accepting a manual extension within the existing extension boom tip.

For all enquiries please call or email EPV,

(03) 9213-3555 epv@epv.net.au

IJ1300

Model: IJ1300-V1-2	Serial Number:	Insulation Rating: 33Kv DRY ONLY
Manufacture Date :	Reference Number :	Jib Steel Insert Weight: Approx 61 Kg
VARIABLE SWL: 1500Kg Retracted 1000 Kg Extended		Jib FRP Insert Weight: Approx 56 Kg
 <p style="text-align: right;">SWL 1000</p>		Total Assembly Weight: Approx 117 Kg
 <p style="text-align: right;">SWL 1500</p>		Manufactured By: EPV 12 DUNLOPILLO DRIVE DANDENONG SOUTH VIC 3175
		Phone : (03) 9213-3555 Fax : (03) 9792-4055 www.epv.net.au

Additional variations available on request.